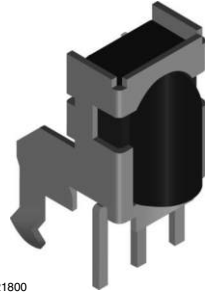
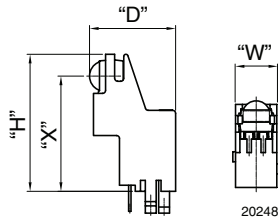


IR Receiver Modules for Remote Control Systems



21800


FEATURES

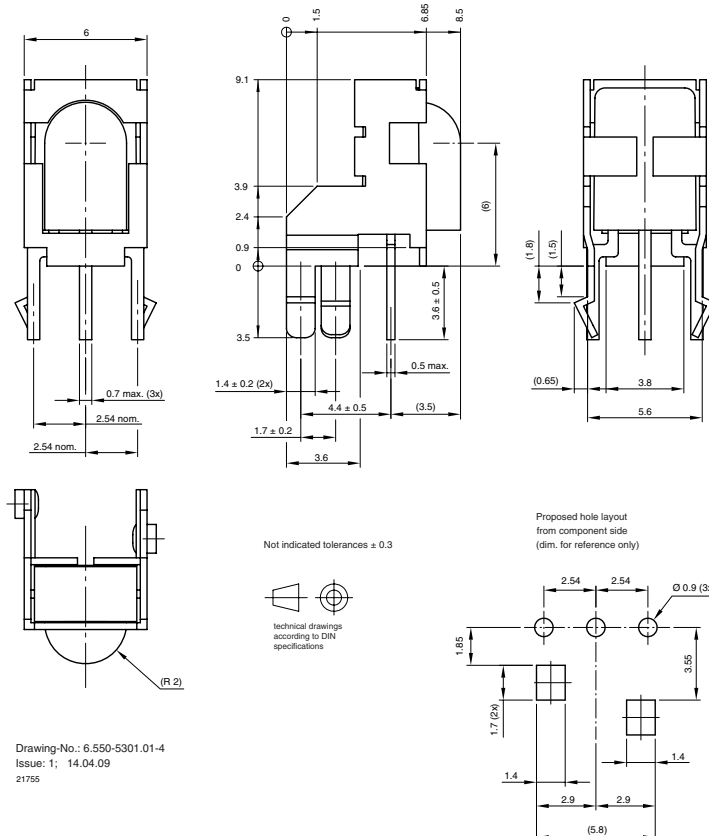
- Compliant to RoHS directive 2002/95/EC and in accordance to WEEE 2002/96/EC


AVAILABLE FOR:

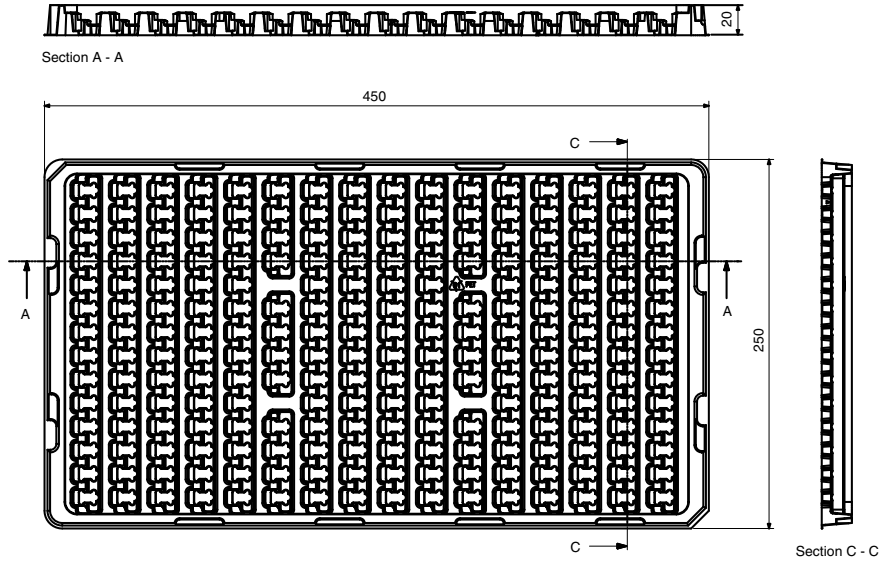
- TSOP58...
- TSOP59...
- TSOP38...
- TSOP39...
- TSOP98...


RoHS
COMPLIANT

NAME	LENS AXIS (X)	VIEW	TYPE	HEIGHT (H)	WIDTH (W)	DEPTH (D)
CA1	6	Side	Holder	9.1	6	8.5

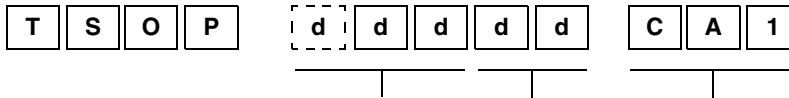
MECHANICAL DIMENSIONS in millimeters


PACKAGING DIMENSIONS in millimeters



Drawing-No. 9.700-5307.01-1
 Issue 1; 17.06.09
 21799

ORDERING INFORMATION



2 or 3 digit product series 2 digit frequency Holder type

Note

d = "digit", please consult the list of available series on the previous page to create a valid part number.

Example: TSOP38236CA1

PACKING QUANTITY

- 220 pieces per tray
- 7 trays per carton